

LUMINAIRES

# OXYA

Design: Jean-Michel WILMOTTE

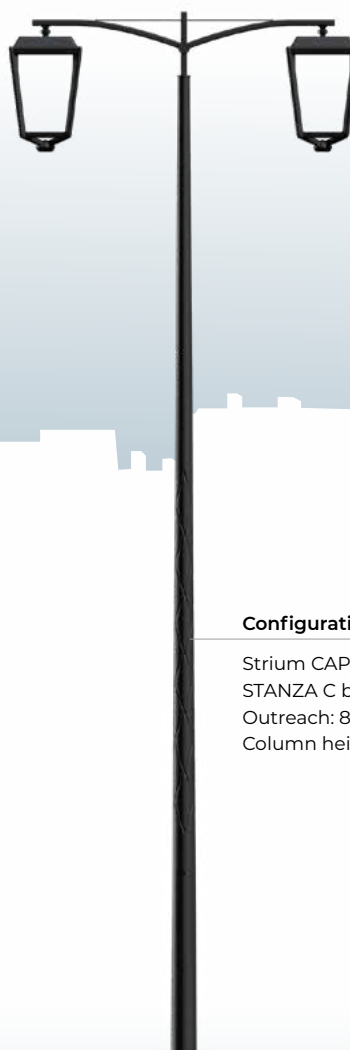


**Configuration**

FESTONE column  
Column height: 5 m

**Configuration**

column  
Column height: 5 m

**Configuration**

Strium CAPITAN column  
STANZA C bracket  
Outreach: 800 mm  
Column height: 6 m

# OXYA

Design: Jean-Michel WILMOTTE



**OXYA**  
Post top version

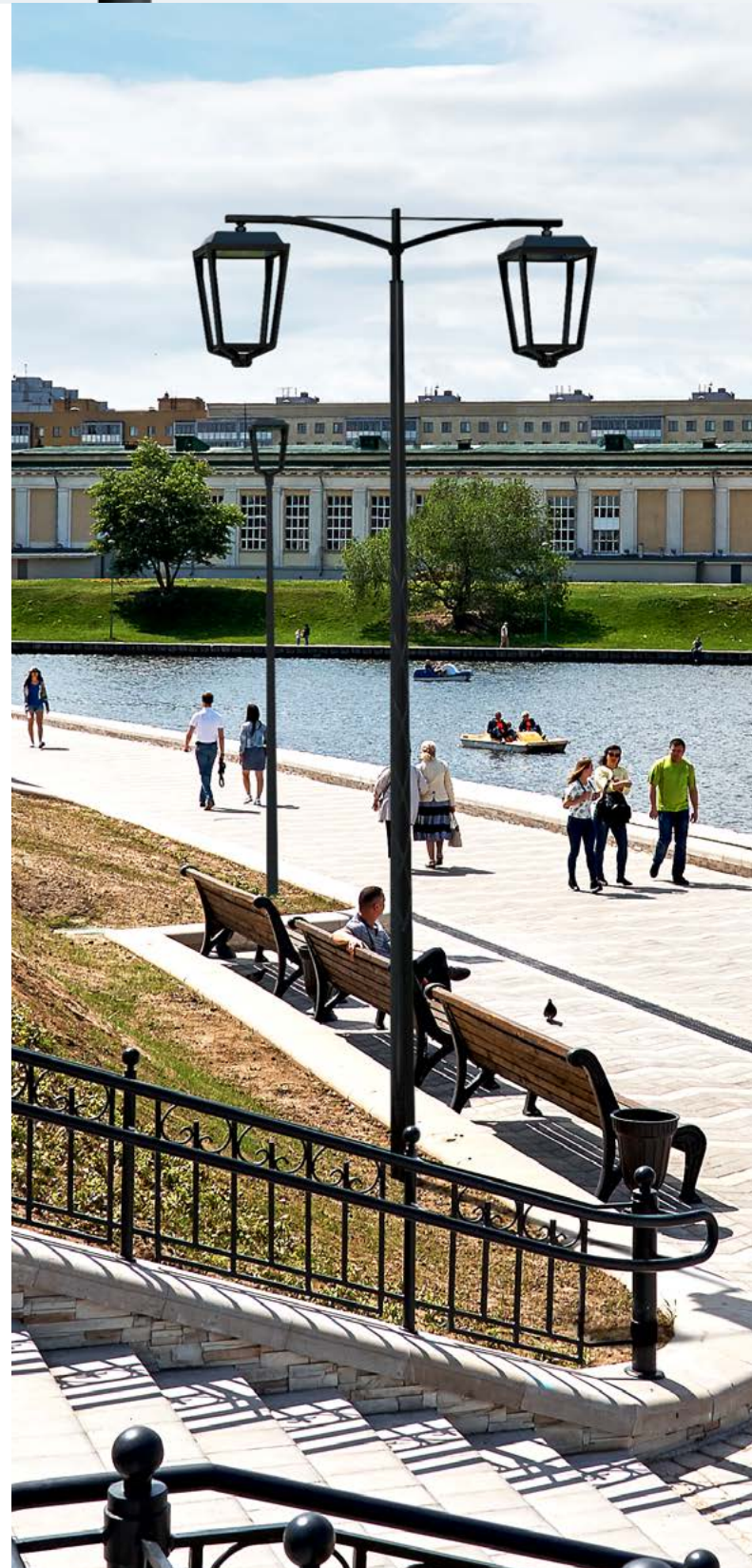
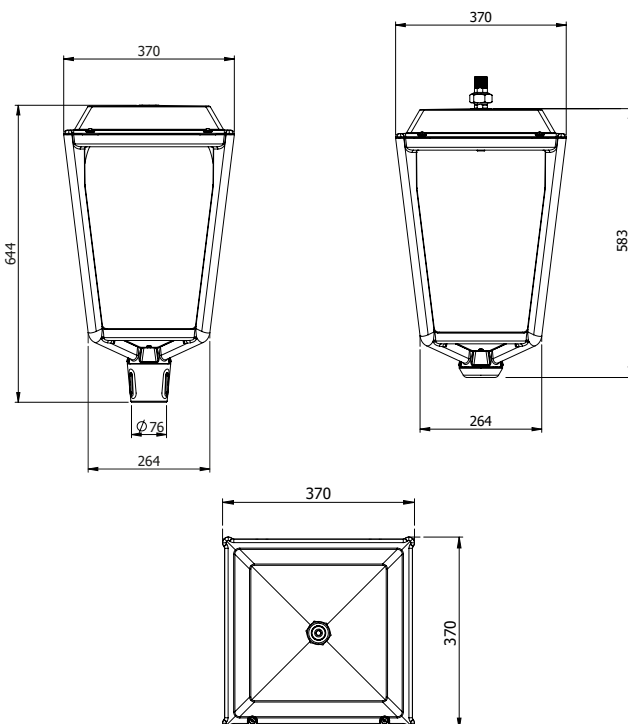
## DESCRIPTION

<b>Product name</b>	OXYA	
<b>Housing</b>	Injection die-cast aluminium body	
<b>Bowl</b>	<b>PPC:</b> Polycarbonate Flat <b>VPS:</b> Thermally tempered and screen printed flat glass	
<b>Finish</b>	Polyester powder coating, any colour available	
<b>Impact protection</b>	PPC: IK 10 - VPS: IK 09	
<b>Ingress Protection</b>	IP66 Extruded silicone gasket Cable gland with anchoring device Breathing system with activated carbon filter	
<b>Dimensions</b>	370 x 370 x 644 mm	370 x 370 x 583 mm
<b>Weight</b>	9.6kg	
<b>Windage area</b>	0.14m <sup>2</sup>	
	OXYA PCC	OXYA VPS
<b>Materials used</b>	Aluminium 73% Steel 9% Plastic 8% Other 10%	Aluminium 66% Steel 8% Plastic 3% Other 9% Glass 14%
<b>Electrical class</b>	Class I or II	

## DIMENSIONS

OXYA top version

Suspended version





**OXYA**  
Suspended version

## SOURCES & PHOTOMETRIC DISTRIBUTIONS

### OXYA

<b>Sources</b>	BLS strips
<b>Colour temperature</b>	2200 K, 2400 K, 2700 K, 3000 K, 4000 K
<b>Optical Distribution</b>	QUADRALENS ERS, ERL, ECa, LRS, LRL, ERE, ETS, PFA, EPD, EPG
<b>Backlight shield option</b>	Medium or strong cut-off
<b>Power supply current</b>	Adjustable up to 700 mA <sup>(1)</sup>

<sup>(1)</sup> Approx. 1800K, only on BLS12 as standard. <sup>(1)</sup> I>700mA possible on request.  
**E/L/P:** Lighting/Luminance/Projection, **R/C/T/F/P:** Road/Circular/Pavement/Beam/Zebra crossing,  
**E/S/L/A/D/G:** Narrow/Standard/Wide/Asymmetrical/Right/Left



BLS strips

## OPTIONS

### OXYA

#### At the lighting point

Adjustable current (driver or bottom of the pole)	✓
Dimming (driver, bottom of the pole or Bluetooth)	✓
Built-in detection	✓
Remote detection	✓
DALI protocol	✓
Smart-Ready® configuration (ZD4i)	✓

#### In a local network

Communicating detection with pilot wire	✓
Wireless communication sensing	✓

#### Remote management

WIZARD CMS system	✓
-------------------	---

Details of the functions available on pages 272 to 279 and in the LED synopsis located on under the flap on the front cover

## MECHANICAL INTERFACES



#### Post top luminaire:

Covering fixture to a standard Ø 60/62 mm pole or to a specific Ø 76 mm pole with Ø 60 mm tip, Len 80 mm  
 Fixture at the top of the pole, locked using 6 M8 screws



#### Suspended luminaire:

Fixture using a Ø 27 pdg swivel joint mounted on the luminaire

## MAINTENANCE

**Opening and closing** Opening and closure using 2 quick-thread screws  
 Cover supported by a safety stand

**Sources maintenance** Direct access to the module once the cover is open, removable module  
 Power supply using a quick connection

